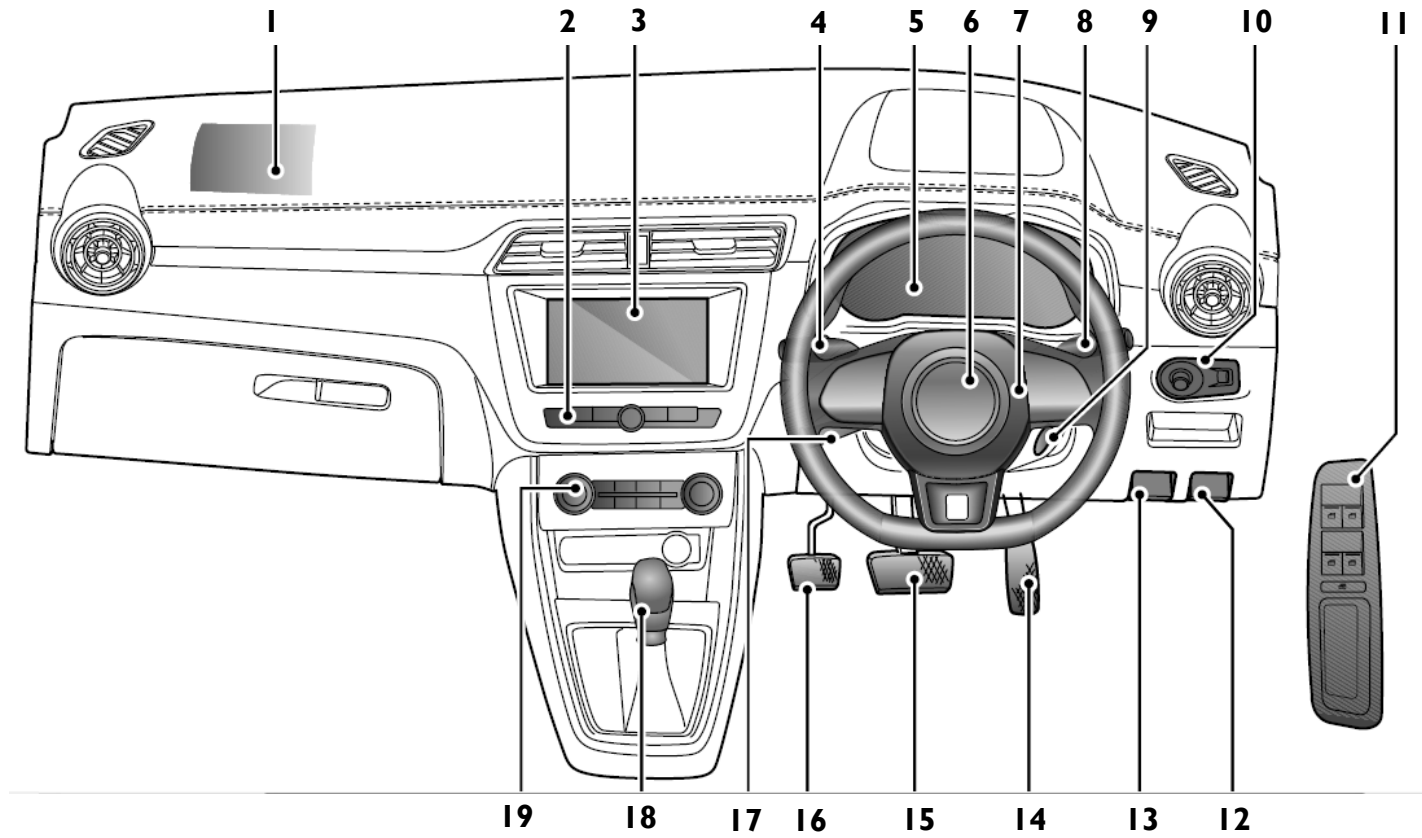


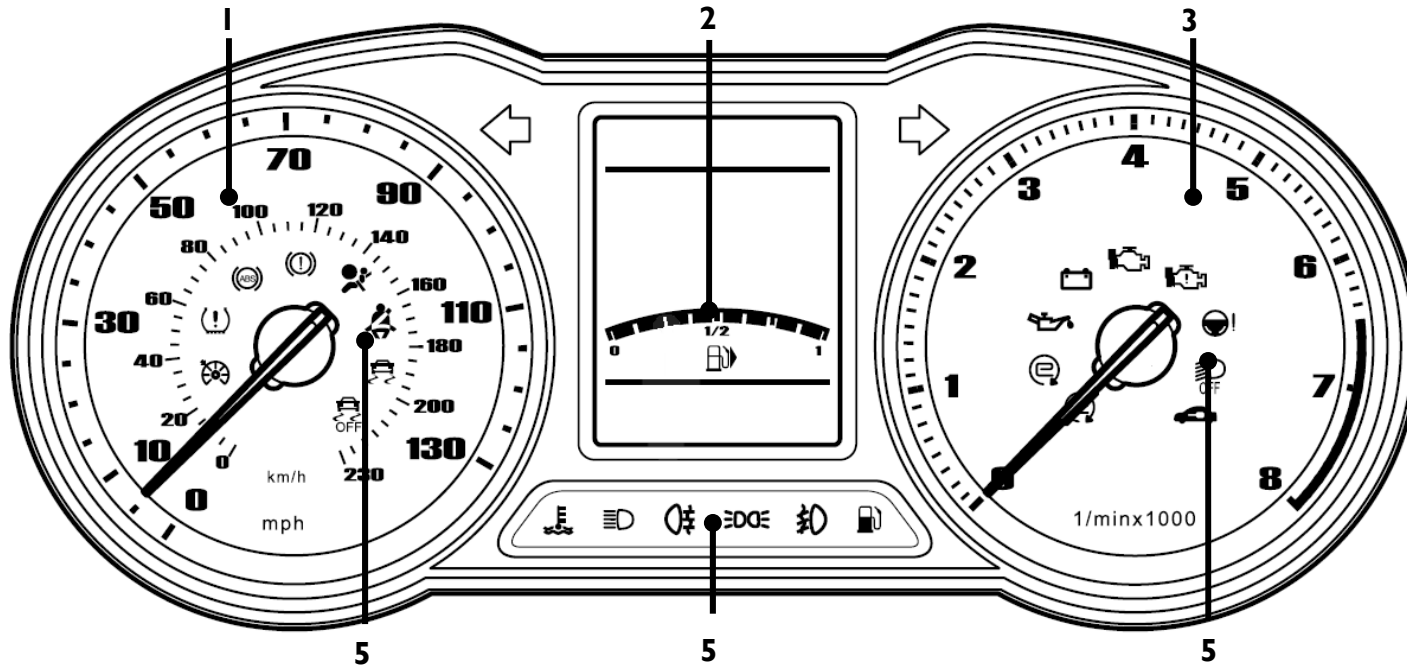
Interior Layout



Interior Layout

1. Passenger Airbag
2. Entertainment Controls
3. On Board Entertainment System
4. Direction Indicators/Main Beam Switch
5. Instrument Pack
6. Driver Airbag
7. Horn
8. Wiper/Washer Controls
9. Ignition Switch
10. Headlamp Levelling & Mirror Adjustment Switch
11. Window Controls
12. Fuel Filler Release
13. Bonnet Release
14. Accelerator Pedal
15. Brake Pedal
16. Clutch Pedal
17. Cruise Control and Automatic Speed Limiter Switch
18. Gear Shift Lever
19. Heater & A/C Controls

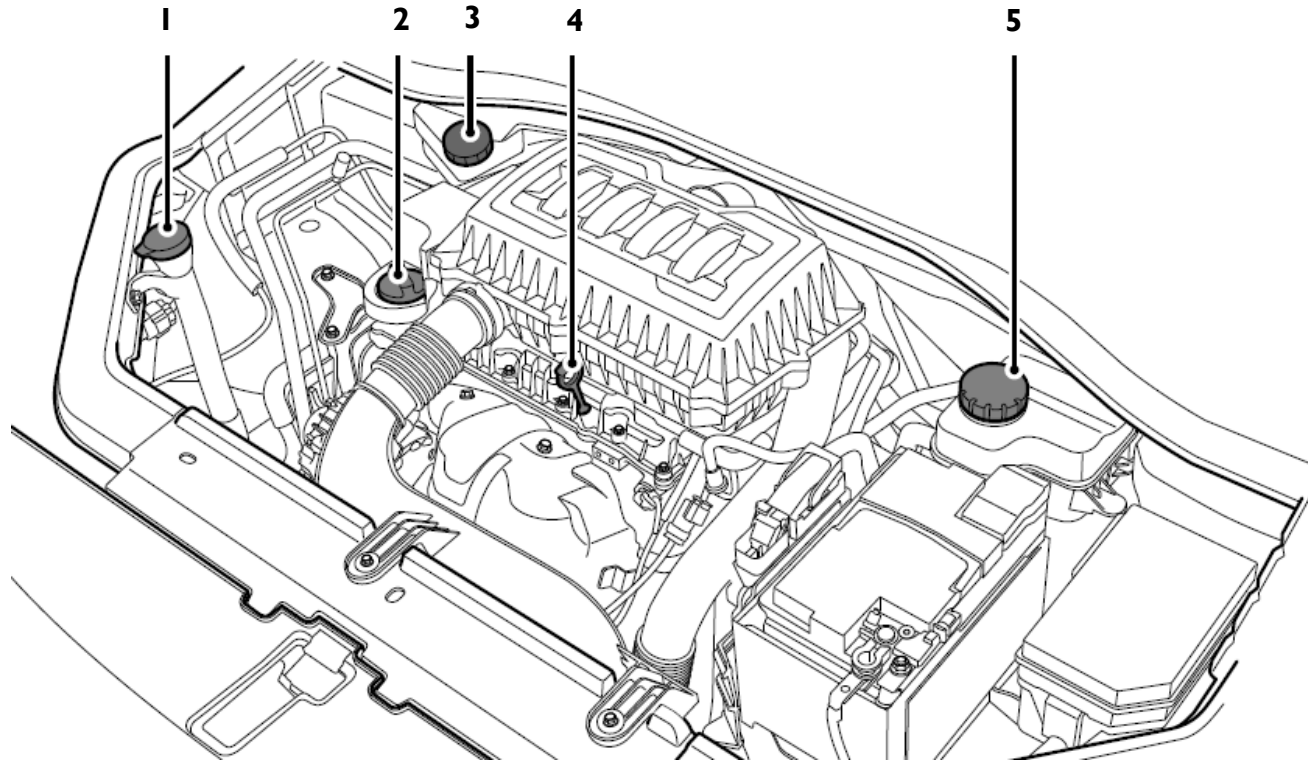
Instrument Pack



1. Speedometer - Indicates road speed in miles and kilometres per hour
2. Information Centre Display - Warnings, trip computer and driver information is communicated via this display.
3. Tachometer - Indicates engine speed in revolutions per minute x 1000
4. Fuel Gauge - The quantity of fuel in the tank is indicated by the number of segments illuminated.
5. Warning Lamp Displays

Please consult Owners Handbook for detailed warning light description and function

Underbonnet Locations 1.5L



1. Washer fluid reservoir (blue cap)

2. Oil filler cap (black cap)

3. Brake fluid reservoir (yellow cap)

4. Oil dipstick (yellow)

5. Coolant reservoir (black cap)

Recommended Fluids, Capacities and Pressures 1.5L

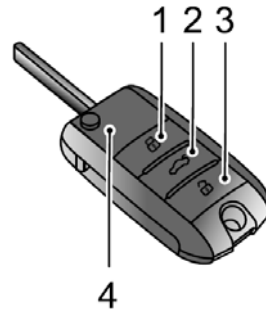
Engine Oil	AI 5W-20	4.1 Litres
Engine Coolant	Glycol (OAT)	5.4 Litres
Transmission Fluid - Manual	MTF 94	1.8 Litres
Brake Fluid	DOT 4	0.85 Litres
Washer Fluid	Qx35	3 Litres
Air Conditioning Refrigerant, g	R1234yf	520±25
Air Conditioning Oil, ml	PS R1	140 +/- 10
Fuel Tank		48 Litres

Tyre Pressures (cold)

Front	15"	2.3 bar (34 psi)	17"	2.3 bar (34 psi)
Rear	15"	2.0 bar (30 psi)	17"	2.0 bar (30 psi)

NOTE: For fully loaded conditions, the 15" rear tyre pressure should be increased to 2.6 bar (38 psi).

Remote Key, Ignition Switch and Starting



1. Lock button
2. Tailgate release button
3. Unlock button
4. Remote Key

Position LOCK

- Insert or remove handset/key.
- Rotate steering wheel to activate lock.

Position ACC

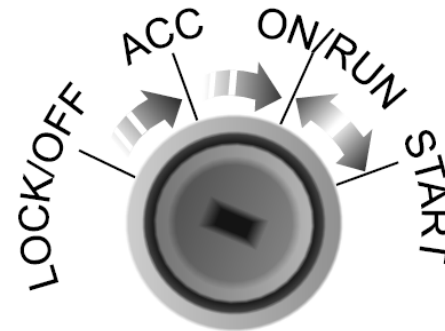
- Stop the engine, the handset can not be pulled out.
- Limited electrical equipment operation (wipers etc).

Position ON

- All electrical equipment operation.
- Engine run after starting

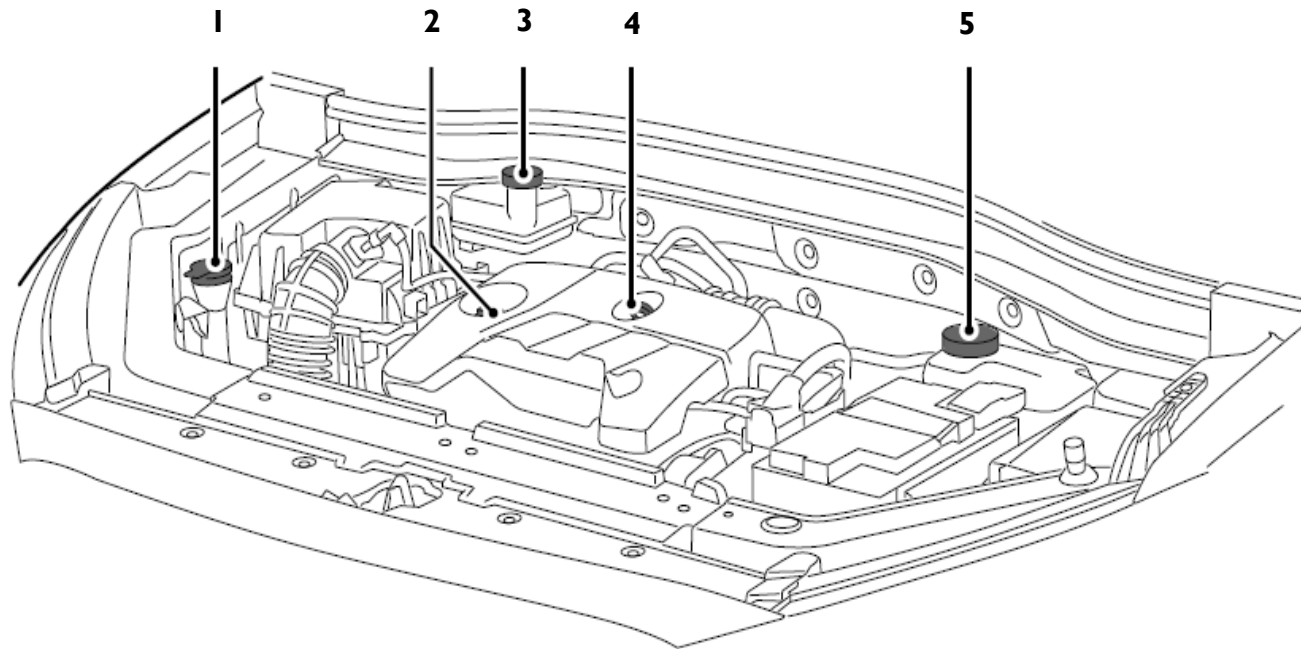
Position START

- Start the engine.
- Release the handset immediately after the engine is started, the ignition switch will return to position 2 automatically.



Please consult Owners Handbook for detailed starting description and function

Underbonnet Locations 1.0L



- | | |
|---------------------------------------|----------------------------------|
| 1. Washer fluid reservoir (blue cap) | 4. Oil dipstick (yellow) |
| 2. Oil filler cap (black cap) | 5. Coolant reservoir (black cap) |
| 3. Brake fluid reservoir (yellow cap) | |

Recommended Fluids, Capacities and Pressures 1.0L

Engine Oil	C3 5W-30	4.0 Litres
Engine Coolant	Glycol (OAT)	5.8 Litres
Automatic Transmission Fluid	AWI	6.2 Litres
Brake Fluid	DOT 4	0.85 Litres
Washer Fluid	Qx35	3 Litres
Air Conditioning Refrigerant, g	R1234yf	520±25
Air Conditioning Oil, ml	PS R1	80 +/- 10
Fuel Tank		48 Litres

Tyre Pressures (cold)

Front	15" 2.3 bar (34 psi)	17" 2.3 bar (34 psi)
Rear	15" 2.0 bar (30 psi)	17" 2.0 bar (30 psi)

NOTE: For fully loaded conditions, the 15" rear tyre pressure should be increased to 2.6 bar (38 psi).